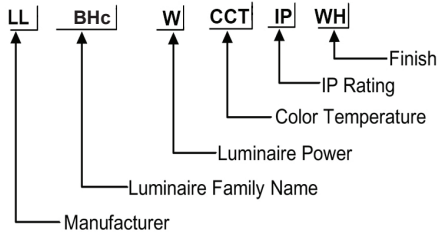


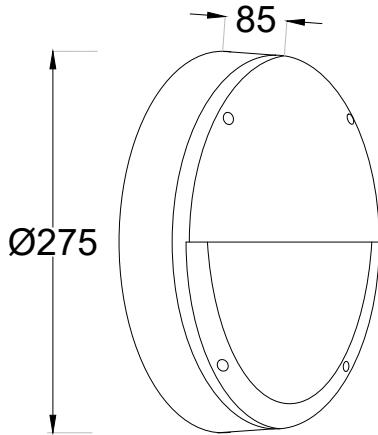


ORDERING CODE



Specification

- Fixture Material** : Die Cast Aluminium
- Fixture Finish** : Powder Coated
- Diffuser** : Opal Polycarbonate Halfmoon
- LED Chip** : CREE
- Binning** : 3 step MacAdam
- Lifespan** : 50,000Hrs
- CRI** : >90
- Input Voltage** : 220-240V AC, 50/60Hz
- Operating Temperature**: -35°C to +55°C
- Warranty** : 5 Years against manufacturing defects



Power (W)	Lumen Lm	IP Rating	Beam Angle	Available CCT
10 W	1000Lm	IP65	Diffused	2700K
12W	1200Lm			3000K
15 W	1500Lm			4000K
18 W	1800Lm			5000K
20 W	2000Lm			6000K

